



Main Features:-

- ◆ Needle Valve
- ◆ Stainless Steel Body, Stem and T-Handle
- ◆ BSPT (BSPP and NPT Available—contact sales)
- ◆ 6000psi Rated
- ◆ -29°C to 230°C

*Temperature and pressure determined by valve body, seat etc.

Suitable Applications & Approvals:



INDUSTRY

SERIES: 100059

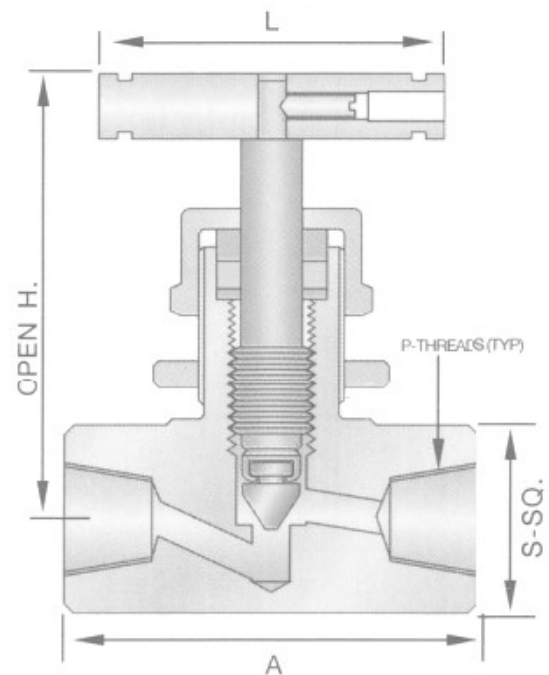
MANUFACTURER:



Name Materials

Body	A479-316
Panel Nut	A479-316
Stem	A479-316
Packing	PTFE
Washer	A479-316
Gland Nut	A479-316
Grub Screw	SS Plated
Handle	SS
V-Tip	17-4 PH

Size	A	S-SQ	H	L
1/4"	50	22	69	50
3/8"	50	25	69	60
1/2"	68	30	83	60
3/4"	70	36	89	70
1"	88	45	102	70



ALL VALVES ONLINE

Offering a full range of actuated valve packages, manual valve range, pipe fittings and pumps, we have a product for all your requirements. As an ISO 9001-2015 Quality Approved and certified company, All Valves offer a quality service from pre-sale to post sale.

VALVE DIMENSIONS



T +44 (0)1386 552369

E sales@allvalves.co.uk

W www.allvalves.co.uk

F +44 (0)1386 554227